

FP SERIES

FPW / FPWS

FPW+V3V / FPWS+V3V



WALL SPLIT FAN COIL
2 tubes

Small demand solutions in difficult locations

Fan coils split wall with 2 tubes. The fan coil wall mounted unit is a terminal to treat the air of an environment, in both the winter and the summer.

MAIN FEATURES

- Maximum cooling capacities ranging from 2 to 4 kW
- V3V option, with 3-way valve built into the unit

AVAILABLE VERSIONS

- FPW (with its own infra-red control)
- FPWS (without control and ready for installation with a wall-mounted control)
- FPW+V3V (with infra-red control and 3-way valve)
- FPWS+V3V (without control and with a 3-way valve)

ADVANTAGES

- Attractive design: simple, modern and refined
- High efficiency and performance
- Minimum sound level: with a tangential fan to offer the greatest acoustic comfort
- Built-in valve
- Compatible with the Hydrofan system, as long as it is equipped with a 3-speed motor and open/close valves

An innovative solution that prevents wasting energy and facilitates installation and maintenance tasks

APPLICATIONS

- Ideal solution for installations in difficult locations in commercial areas, residences and offices

REGULATION

- FPW: infra-red control (1)
- FPWS: wall control, two models:
 - i-Basic series (2)
 - i-Digit series (Modbus protocol) (3)



For additional control types, see page 36.

FP SERIES

MODEL			1	2	3	4
COOLING			(**) Water inlet T: 7°C • Water outlet T: 12°C • Air inlet T: 27°C d.b. - 19°C w.b.			
Total cooling capacity (*)	kW	3	1.93	2.35	3.29	3.95
	kW	2	1.70	2.07	2.92	3.56
	kW	1	1.53	1.81	2.39	2.89
Sensible cooling capacity (*)	kW	3	1.49	1.87	2.63	3.08
	kW	2	1.30	1.61	2.28	2.81
	kW	1	1.15	1.39	1.86	2.23
Water flow	l/h	3	337	409	573	687
	l/h	2	297	360	508	625
	l/h	1	266	314	415	501
Water pressure drop (*)	kPa	3	15.9	22.9	17.4	21.6
	kPa	2	12.5	18.3	13.3	17.8
	kPa	1	10.0	14.3	11.4	11.8
HEATING			Water inlet T: 45/40°C • Air T: 20°C			
Thermal capacity (*)	kW	3	2.03	2.49	3.71	4.11
	kW	2	1.76	2.18	3.20	3.72
	kW	1	1.57	1.91	2.51	3.24
Water flow	l/h	3	353	434	646	716
	l/h	2	307	380	557	648
	l/h	1	273	332	438	565
Water pressure drop (*)	kPa	3	16.5	23.1	21.7	21.5
	kPa	2	12.4	18.3	16.5	17.1
	kPa	1	9.8	14.6	9.2	13.4
HEATING			Water inlet T: 50°C • Air T: 20°C			
Thermal capacity	kW	3	2.42	2.97	4.39	4.92
	kW	2	2.11	2.61	3.80	4.45
	kW	1	1.88	2.28	3.00	3.86
Water flow	l/h	3	336	409	573	687
	l/h	2	297	360	508	625
	l/h	1	266	314	415	501
Water pressure drop	kPa	3	15	20.5	17.3	19.8
	kPa	2	11.6	16.4	13.8	15.9
	kPa	1	9.3	13	8.3	10.6
HEATING			Water inlet T: 70/60°C • Air T: 20°C			
Thermal capacity	kW	3	4.09	5.03	7.48	8.28
	kW	2	3.56	4.40	6.45	7.50
	kW	1	3.17	3.85	5.07	6.54
Water flow	l/h	3	360	442	657	727
	l/h	2	313	386	566	659
	l/h	1	278	338	445	574
Water pressure drop	kPa	3	16.1	22.4	21.1	21.2
	kPa	2	12.2	17.7	16	16.9
	kPa	1	9.6	14.1	8.8	13.1
Sound level (*)	dB(A)	3	53	54	54	56
	dB(A)	2	50	50	50	52
	dB(A)	1	47	45	43	45
Sound pressure	dB(A)	3	44	45	45	47
	dB(A)	2	41	41	41	43
	dB(A)	1	38	36	34	36
Airflow	m³/h	3	344	417	553	620
	m³/h	2	282	333	476	544
	m³/h	1	234	273	375	426

- (*) Eurovent

- (**) Factory-wired speed

- Standard direct-discharge unit: static outdoor pressure = 0 Pa (for other pressures available, check with our commercial network).

- Sound level = as per EN 16583-2015

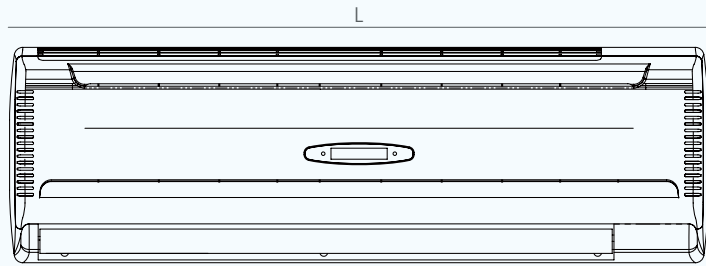
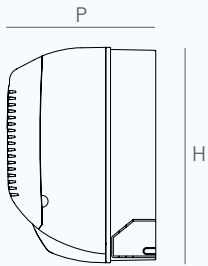
- Sound pressure: considered 8.6 dB(A) lower with regard to the sound level of a 90 m² area with a reverberation time of 0.5 s.

- Accepted voltage values: 230 V / 1ph / 50 Hz~

GENERAL DIMENSIONS

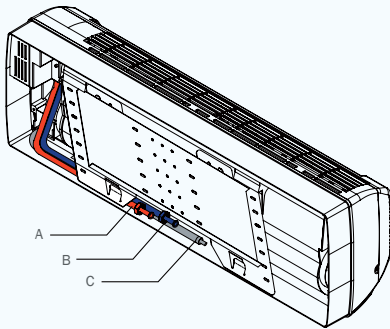
FP SERIES

MODEL				1	2	3	4
Dimensions	length	L	mm	880	990	1,172	1,172
	height	H	mm	298	305	360	360
	depth	D	mm	205	205	226	226

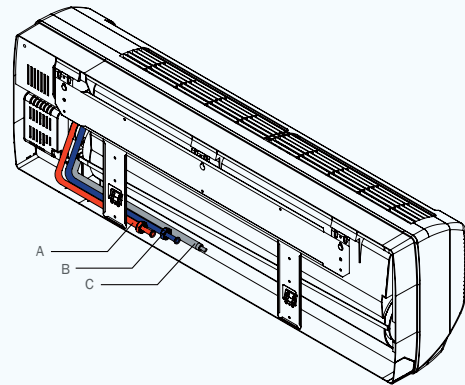


HYDRONIC CONNECTIONS AND CONDENSATION DISCHARGE

FPW 1-2



FPW 3-4



- Discharge at 1/2"
- Return at 1/2"
- Condensation discharge at 1/2"